

• Recess - Adjustable spot light

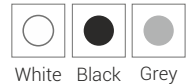


90 CRI

PRODUCT HIGHLIGHTS

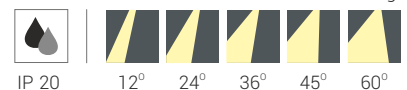
- Aesthetically designed high performance semi-recess down light luminaire
- The luminaire housing is made of CRCA sheet steel
- High efficient passive cooling die-cast aluminium light head
- 355° rotatable and 45°-90° adjustable light head with aesthetically designed die-cast aluminium arm
- Aesthetically designed anti glare die-cast aluminium front ring
- High efficiency vacuum metalized polycarbonate reflector with beam angle options of 12°, 24°, 36°, 45°, 60°
- High efficacy chip on board (COB) LED technology
- Isolated-high efficiency electronic driver technology
- Heavy gauge spring toggle for easy installation on false ceiling application
- Shade : powder coated-white, black & grey

Available Colours



White Black Grey

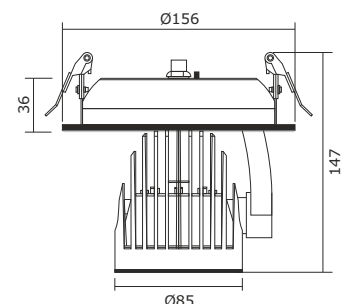
Available Reflector Deg.



IP 20

TECHNICAL SPECIFICATIONS

| | |
|---------------------|---|
| Light Source | : COB - Chip on Board |
| Power Consumption | : 20W, 23W, 27W |
| Color Temperature | : 3000 K 3500 K 4000 K |
| Lumens | 20W : 1857 lm, 1890 lm, 1930 lm 23W : 2160 lm, 2207 lm, 2219 lm 27W : 2480 lm, 2496 lm, 2529 lm |
| Driver | : Constant Current AC - DC |
| Input voltage range | : 220 - 240 V |
| Output voltage | : 33V - 37V DC |
| Output Current | : 500 mA 600 mA 700 mA |
| Power Factor | : >0.98 |
| THD | : <10% |



Cut Dia. Ø138 mm

All dimensions are in mm

Product Application :
Retail Space | Peripheral | Show Window | Wall Display