

Pendant **HIGH-BAY DOWN LIGHT**

Wattage : 100W | 150W | 200W | 250W

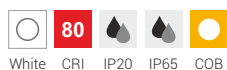
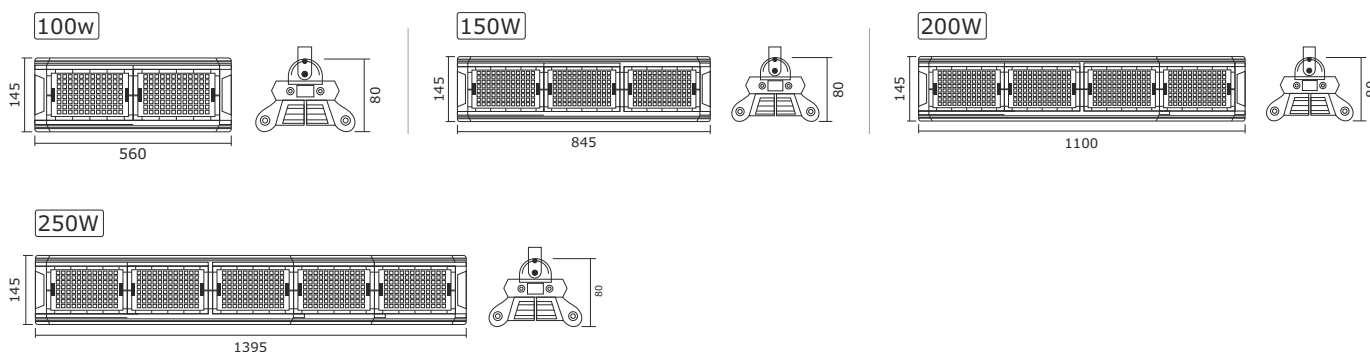
## LED PARAMETERS

WATTS	CRI	COLOR TEMP.	LUMEN
100W	80	5700 K	11453 lm
150W		5700 K	17757 lm
200W		5700 K	22900 lm
250W		5700 K	28900 lm

## PRODUCT HIGHLIGHTS

- Aesthetically designed high performance linear high bay luminaire
- Luminaire housing made of high-grade extruded aluminum
- Highly efficient passive cooling extruded aluminium heat sink
- High efficacy SMD (Mid Powder) led integrated with highly
- Efficient metal core PCB for higher thermal conductivity
- Inbuilt high efficiency electronic driver technology
- High efficiency lens optic for lesser transmission loss
- Beam angle : 90° & 120°
- Shade : powder coated-White

All dimensions are in mm



Product Application : Factory | Warehouse